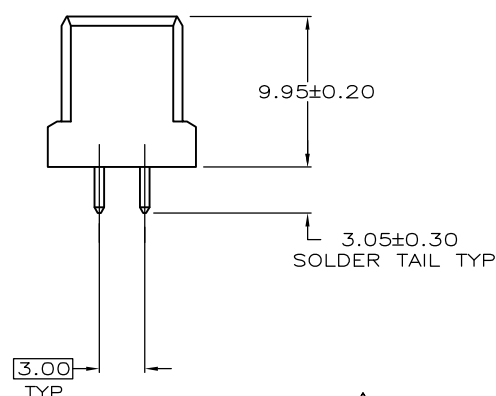
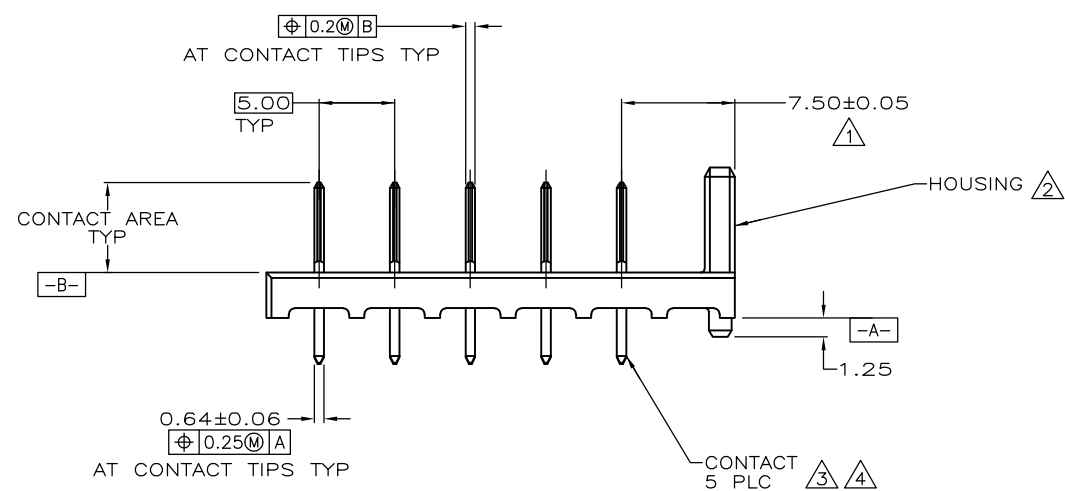
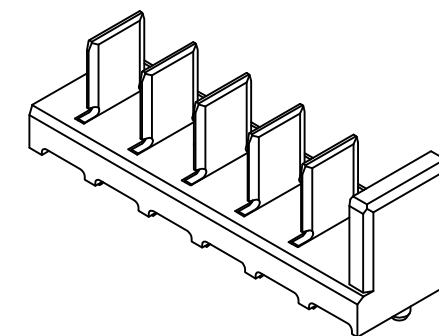
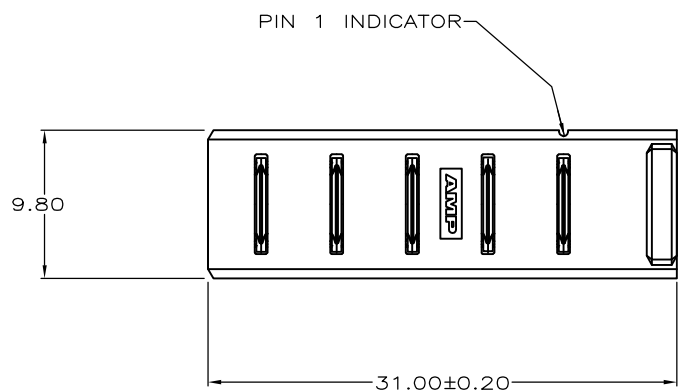
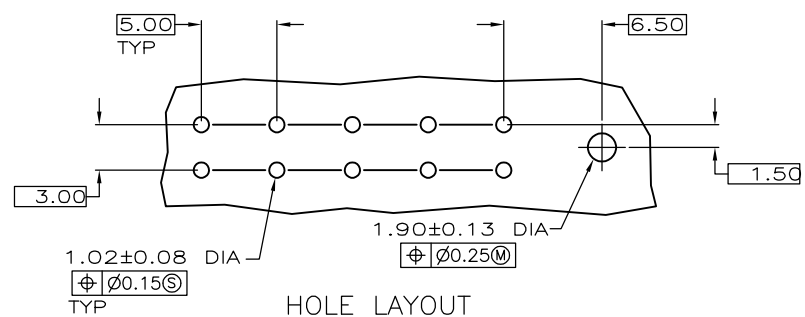


THIS DRAWING IS UNPUBLISHED. RELEASED FOR PUBLICATION  
 © COPYRIGHT - By - ALL RIGHTS RESERVED.

LOC	DIST	REVISIONS			
P	LTR	DESCRIPTION	DATE	DWN	APVD
ES	00	A1	REVISED PER ECO-11-005033	29MAR11	RK HMR



- ① COORDINATE DIMENSION APPLIES FROM CENTER OF ACTUAL FEATURE.
- ② HOUSING: POLYPHTHALAMIDE, COLOR BLACK.
- ③ CONTACTS: BRASS
- ④ 2.54um MIN TIN ON SOLDER TAIL OVER 1.90um MIN NICKEL ALL OVER.



5787430-1  
PART NO

THIS DRAWING IS A CONTROLLED DOCUMENT.		DWN S.KLINE 03/09/95	TE Connectivity		
DIMENSIONS: mm		CHK S.KLINE 03-15-95			
TOLERANCES UNLESS OTHERWISE SPECIFIED:		APVD S.KLINE 03-15-95	NAME		
0 PLC ± -		PRODUCT SPEC	108-1501		
1 PLC ± -		APPLICATION SPEC	114-24005		
2 PLC ± 0.13		WEIGHT	-		
3 PLC ± -		SIZE		CAGE CODE	DRAWING NO
4 PLC ± -		A3		00779	C-5787430
ANGLES ± -		CUSTOMER DRAWING		SCALE	SHEET
FINISH		A1		3:1	1 OF 1
MATERIAL		RESTRICTED TO		REV	A1
② ③		-			